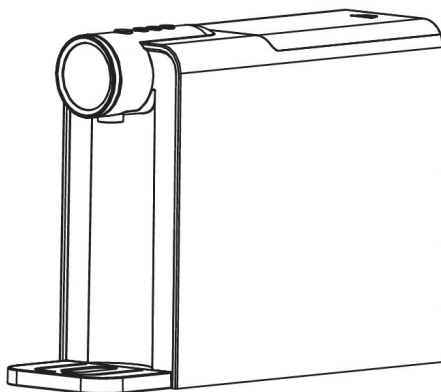




# RWD-JG250

即熱水機 Instant Water Dispenser



僅適用於家庭使用  
For household use only

## 使用說明書 OPERATION MANUAL

- 在使用本產品前，請仔細閱讀本說明書，閱讀後小心收藏，以備日後查閱。  
Please read the operation manual carefully before using. Keep it in a safe place for future reference.
- 本說明書中的圖示可能與實物有不同，僅供參考。  
Some figures in this manual may not match with the real object, just for reference only.



非常感謝您選購樂信牌即熱水機，使用前請詳細閱讀此說明書，並保存以備日後參考。

## 目錄

1. 安全注意事項
2. 清潔及儲存
3. 產品規格
4. 產品說明
5. 首次使用
6. 使用方法
7. 故障排除
8. 特別聲明
9. 售後服務

## 1. 安全注意事項

本產品**不能**直接使用自來水，**切勿**使用蒸餾水以外的水源。使用本產品時，必須遵守下列安全措施：

1. 請仔細閱讀本說明書的相關說明，不遵循或忽視這些安全注意事項，有可能導致火災、觸電或個人傷害。
2. 將產品的包裝物料全部取出並棄掉，以免兒童當作玩具，造成危險。
3. 切勿與其他高功率的電器共用同一插座，以免電力負荷過重。另外，請檢查產品的額定電壓是否與當地的電壓相符。
4. 切勿將金屬物件(如針或金屬線等)插入產品的機殼、水箱的縫隙或出水位，以防觸電及其他危險。
5. 切勿讓本產品在無人看管的情況下運作。
6. 請使用水溫介乎攝氏5 – 38°C的蒸餾水。若水溫過高，會使濾芯失效；如水溫過低，則會令產品凍結，影響機內零件。
7. 運作期間切勿取出水箱，否則產品有可能因乾燒而造成損壞，甚至引起火警。
8. 本產品需置於平坦的平面上使用，否則將出現漏水的情況。
9. 如長時間不使用本產品，請拔掉電源及倒清水箱內餘水，再次使用前，請確保產品已經充份清洗。
10. 當現場溫度或電壓較低的時候，出水流量將相對地減少。
11. 加熱完成後或有少量餘水流出，放杯時及取杯前請注意，並確認注水口已沒有餘水流出。
12. 切勿在以下環境使用本產品：
  - 潮濕或靠近水源的環境
  - 靠近熱源(如焗爐或電磁爐)及易燃物料或非耐熱物品附近(如地毯、紙品、檯布、窗簾及毛巾等)
13. 切勿使用外置計時器或遙控系統來操作本產品，以防短路及自燃等危險。
14. 在室溫低於攝氏零度時，須關掉電源，切勿進行加熱工作，或讓產品一直和電源插座連接，否則產品有可能保持通電並加熱運作，造成火災危險。
15. 本產品僅限於香港、澳門及海拔1000公尺以下地區使用。
16. 注水或倒水前，請確保拔掉電源插頭。
17. 請確保主體表面及電源插頭已充分擦乾，以免造成危險。
18. **警告！**使用時及使用後，請小心灼熱蒸氣及出水位有熱水滴落。
19. 本產品設有防乾燒功能。在沒有注水或水量過少(低於最低水位線(MIN))的情況下運作，如機內溫度到達或超出保護值，本產品會自動關機。

20. 注水不可超出最高水位線(MAX)，亦不能少於最低水位線(MIN)。
21. 切勿將本產品用於加熱水以外的其他用途，否則，有可能發生故障及危險。
22. 切勿讓嬰兒靠近。若有孩童在旁，須加倍小心使用及看管小孩，以確保他們不會把此產品當作玩具。切勿讓小孩單獨使用或進行保養，亦切勿將本產品及其電源線放於小孩能觸及的地方。
23. 手濕時切勿接觸、插上或拔出電源插頭，否則可能造成觸電危險。
24. 電源線上不可放置重物。切勿改裝、用力拉扯或扭曲電源線。拔出或插入插頭時，應用手握穩插頭，不可抓住電源線。
25. 切勿在電源線纏結的情況下使用本產品，或將電源線懸掛在桌子、櫥櫃邊緣或讓它接觸發熱的表面，否則會造成電源線損壞。
26. 本產品只供家庭使用或類似環境使用，如商戶內部、辦事處和其他工作環境的員工廚房區域，切勿在室外使用或用作說明書建議以外的其他用途。如不當使用本產品，或作為(半)商業用途，維修保養將告無效，本公司將不會承擔任何損壞的維修責任及賠償。
27. 本產品可供年齡在8歲或以上的兒童及體質、感覺或智力有障礙人士或缺乏經驗和相關知識的人士使用，但他們必須接受負責安全人士的監督或指導如何安全地使用即熱水機和理解所涉及的危險。
28. 經常檢查主體、電源線或插頭是否有損壞，如有損壞，為避免危險，應立即停止使用，並聯絡信興電器服務中心有限公司進行檢查及維修。切勿擅自改裝產品或使用非生產商提供的零件進行維修，否則可造成危險及令保修服務無效。

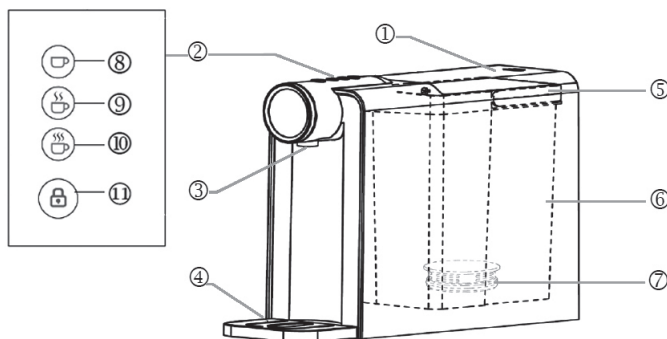
## 2. 清潔及儲存

1. 清潔前，先拔掉電源插頭並將水箱內的水倒掉，及待本產品冷卻後才進行。建議每日清空水箱內的餘水。
2. 切勿將機身、電源線或插頭浸入水中或用水沖洗，亦避免被水沾濕，以免造成觸電及火災。
3. 如需清潔機身表面，可用柔軟濕布擦拭。若機身表面污漬太多，可用沾有少量中性清潔劑的軟布擦拭，然後再以濕布抹淨。
4. 切勿使用任何含腐蝕性或有毒的清潔劑清洗本產品。
5. 必須待產品冷卻及清洗後才能儲存，先將產品放進紙箱內，並存放在乾燥的地方。
6. 儲存時，切勿將電源線纏繞在產品四周或壓住電源線，避免造成損毀。

### 3. 產品規格

型號	RWD-JG250
額定電壓	220-240伏特 ~ 50赫茲
額定功率	1800瓦
水箱容量(約)	1.7公升
淨重(約)	1.9公斤
產品尺寸(闊x深x高)	110 x 321 x 237 毫米

### 4. 產品說明



(以上圖片僅供參考，以實物為準)

編號/配件	部件/圖示名稱	用途說明
①	主機	打開水箱蓋後用作放置水箱
②	按鍵版面	安全鎖/選擇功能
③	出水口	出水位置(注意!出水完成後或有餘水滴下)
④	可移式杯座	放置杯的位置,如杯太大或太高,亦可取出使用
⑤	水箱提手	用於提取水箱
⑥	水箱	儲存蒸餾水的地方
⑦	濾芯	用作過濾的配件
⑧	室溫水鍵 (☐)*	按此鍵輸出250毫升室溫水
⑨	暖水鍵 (☐)*	按此鍵輸出250毫升暖水(約70°C)
⑩	熱水鍵 (☐)*	按此鍵輸出250毫升熱水(約100°C)
⑪	安全鎖 (☐)	用作鎖定/解鎖產品

\* 出水過程中按任意鍵，將停止出水

## 5. 首次使用

1. 打開包裝並取出濾芯，然後將濾芯安裝到水箱底部。
2. 打開水箱蓋，取出水箱清洗。將蒸餾水注入水箱至最高水位線 (MAX)，然後將水箱放進主機後蓋上水箱蓋，浸泡約15分鐘。
3. 浸泡完成後，接駁電源及於出水口下方放置水杯(容量不少於300毫升為佳)，按安全鎖鍵(ⓐ)一次解鎖，再按室溫水鍵(ⓑ)一次，約有40毫升水會排出機體，產品會返回備用狀態。解鎖產品，再按熱水鍵(ⓒ)排出熱水。完成後，重複按熱水鍵(ⓒ)排水，直至產品出現水量不足提示，產品會發出一聲警告提示音，所有按鍵指示燈會同時閃動，產品會停止運作。
4. 為防止產品過熱，出現水量不足提示，水箱仍有約250毫升餘水，屬正常現象。
5. 首次使用時，應留意產品內部是否有水流出，並檢查有否異響、燒焦或冒煙情況。如出現上述情況，應立即停止使用，並將產品帶送往信興服務中心作檢查及維修。

**注意！**首次使用或斷電後重新使用出水功能，產品將默認輸出40毫升水，以對喉管內部進行清洗，屬正常現象。

**警告！**本產品通電後，切勿取出水箱或讓水箱缺水，否則產品會發出警告提示音、乾燒或會造成損壞，及有起火風險。

## 6. 使用方法

1. 將蒸餾水注滿水箱，並放進主機內，然後將水杯放在杯座上(如杯子太大或太高，亦可取出磁性杯座，將杯放於出水口正下方)。
2. 接上電源後，產品響起“吶”聲，所有指示燈閃動一次，安全鎖指示燈亮起，產品進入備用狀態。解鎖後，按任何出水鍵，產品會自動輸出40毫升室溫水，然後返回備用狀態。
3. 倒掉水杯的水，然後將杯放回杯座。
4. 出水操作
  - 4.1 按安全鎖鍵(ⓐ)一次解鎖，安全鎖指示燈熄滅，所有水溫鍵亮起。
  - 4.2 按對應的水溫鍵(“ⓑ”(室溫水)、“ⓒ”(暖水鍵)或“ⓓ”(熱水鍵))選擇所需的水溫，產品便會輸出250毫升水。(出水期間可按任意鍵停止出水。)
  - 4.3 出水完畢後，產品會發出“吶”一聲，代表出水完成，然後產品將返回備用狀態。
5. 解鎖5秒內，如無任何操作，產品將自動返回備用狀態。
6. 完成後，請緊記拔出電源插頭。









**注意！**出水完畢後或會有少量餘水排出，必須待餘水完全排清後才可取杯，避免被餘水燙傷。

### 注意事項

1. 注水期間如水箱水量不足，產品會停止工作並發出警告提示，用戶需加水至水箱方能繼續使用。加水後，按任何水溫鍵，將重新輸出250毫升水。注意！水杯內仍有水，小心滿溢。
2. 在加熱過程中水泵會有輕微噪音產生，此乃正常情況。
3. 加熱時間隨水溫及環境溫度改變(當水箱的水溫較低，加熱時間將稍為延長)。
4. 如長時間未使用本產品，再使用前可按“**章節5.首次使用**”的方法進行清洗。

## 7. 故障排障

使用時，如發現產品操作上有問題，在維修前請先對照下表進行檢查及處理。

故障現象	檢查要點	處理方法
所有按鍵指示燈閃動	水箱水量是否不足？／水箱未有安裝穩妥？	加水到水箱／檢查水箱是否已裝妥。
“  ”及“  ”指示燈同時閃動	加熱部件異常	自攜產品到信興電器服務中心有限公司檢查及維修。
“  ”及“  ”指示燈同時閃動	NTC感應器異常	
“  ”、“  ”及“  ”指示燈同時閃動	電壓異常	
“  ”及“  ”指示燈同時閃動	進水部件感應器異常	

如按照以上處理方法／操作仍然無法恢復正常使用，即時關閉電源，聯絡信興電器服務中心有限公司(電話：2406 5666)進行檢查及維修，並將故障代碼告知信興電器服務中心有限公司。切勿自行拆卸及修理產品，避免產生意外及對產品造成損害。

## 8. 特別聲明

1. 本資料上所有內容經過核對，如有任何印刷及內容上的誤解，本公司將保留解釋權。
2. 本產品若有技術改進，會編進新版說明書中，恕不另行通知；產品外觀、顏色如有改動，則以製造商資料為準。
3. 如本資料之中英文版本有差異時，應以中文版為準。
4. 使用說明書的電子副本可透過電子郵件發送致客戶，如有需要，請致電信興電工工程有限公司：2861 2767。

## 9. 售後服務

1. 由購買收據日期起之一年保修期內，經信興電器服務人員證實產品故障屬正常使用下發生者，本公司將提供免費維修或更換零件服務。經更換之任何損壞零件，將屬本公司所有。保修範圍不包括修理或更換損耗性零件／配件如電源線、水箱、水箱蓋、濾芯及機殼等。如不當使用，或作為(半)商業用途，或未依照說明書使用，保修服務將無效，本公司將不會承擔任何損壞的維修責任及賠償。
2. 用戶必須於維修時出示購買／換購收據及保修卡(印在**包裝盒**，**棄掉包裝盒前**，**必須剪下保留**)，如有任何疑問，請致電服務中心熱線查詢：2406 5666。



Thank you for choosing Rasonic water dispenser. Please read the operation manual carefully before use and well keep for your future reference.

## Table of Contents

1. Important Safeguards
2. Cleaning and Storage
3. Product Specifications
4. Product Description
5. Before First Use
6. Operation Instructions
7. Troubleshooting
8. Special Avowal
9. After Sales Service

## 1. Important Safeguards

Use distilled water only. **Do not** use tap water for this appliance. When using the appliance, please follow the safety precautions below:

1. Read these following safety precautions in the manual when using the appliance. Failure or negligence in observing these precautions could cause fire, electrical shock or personal injury.
2. Remove and discard all packing materials of the appliance. Make sure that children do not play with them to avoid any danger.
3. Do not operate in the same power socket with other high-wattage appliance to avoid overloading or danger. Also, check whether the rated voltage on the appliance is the same as the local voltage.
4. Do not insert metallic objects (such as pins or wire etc.) into the enclosure, gaps of the water tank or water outlet to avoid electric shock or other dangers.
5. Never leave the appliance unattended when operating.
6. Only fill temperature in between 5-38°C distilled water to water tank. If water temperature is too high, the filter will lose function, if temperature is too low, the appliance will be frozen or damage the inner parts.
7. Do not take out the water tank while the appliance is in operation, otherwise the appliance will be damaged and caught fire due to overheat.
8. Place the appliance on a stable and flat surface, otherwise water leaking may happen.
9. When not using the appliance for long time, please unplug and drain all the water from the water tank. Clean it thoroughly before reuse it.
10. When the ambient temperature or voltage is low, the water outflow will be slower relatively.
11. After dispense, there will be a little amount of water remain in the water outlet, please aware the water while taking cup form the appliance.
12. Do not use the appliance when:
  - Close to water or high humidity
  - Near by heat object (e.g. electric oven or induction cooker) and flammable or low thermal resistance objects (e.g. carpet, papers, tablecloth, curtain and towels etc.)

13. The appliance is not intended to be operated by means of an external timer or separated remote-control system, as to prevent short-circuit or other flammable hazards.
14. If the product is not in use at room temperature below 0°C, do not connect with the electrical socket. Otherwise, the appliance may operate and heat up automatically and which may cause a fire hazard.
15. The appliance is only applicable to Hong Kong and Macau, and places under elevation of 1000 meters.
16. Before filling or emptying the water tank, ensure the appliance is switched off.
17. Make sure the main body surface, power base and cord are dry before use to avoid danger.
18. **WARNING!** Hot steam and hot water droplets dripping from the spout.
19. The appliance equipped with a boil-dry protection device. If the appliance is empty or the water capacity is below the minimum water level "MIN", it will automatically switch off when the temperature exceeds the safety level.
20. Beware that the water level should not exceed the maximum water level "MAX" and should not lower than minimum water level "MIN".
21. Do not use the appliance for purposes other than boiling water. (The appliance may cause malfunction if use it except for boiling water.)
22. Keep it out of reach for infants. Great care is necessary in using the appliance, especially near children. Make sure that they do not play with the appliance. Also, children without adult supervision should not operate the appliance or do maintenance, and keep them away from the appliance and its cord.
23. Do not touch, plug in or remove the plug with wet hand, otherwise it can cause electric shock.

24. Do not place heavy objects on the power cord. Never clip, modify, stretch or twist the power cord. Make sure to grasp the plug itself when plug in or unplug the appliance, do not grasp the power cord.
25. Do not operate the appliance when the power cord is tangle or hang over the edge of a table, countertop or let it touch any hot surface, it may cause power cord damage.
26. The appliance is intended to be used in household or similar applications such as staff kitchen in shops, offices and other working environments; by clients in hotels, motels and other residential type environments. Do not use it outdoors and in any other purpose or method which is not following the instructions in the user manual. If the appliance is used improperly, for commercial or semi-commercial use, your warranty becomes invalid and our company will refuse any liability and repairing cost for the damage caused.
27. The appliance can be used by children aged from 8 years and above and persons with reduced physical, sensory or mental capabilities, or lack of experience and knowledge, if they have given supervision or instruction concerning use of the appliance in a safe way and understand the hazards involved.
28. Always check the condition of the appliance, power cord and plug. To avoid hazards, stop using the appliance immediately and contact Shun Hing Electric Service Centre Limited for checking and repairing if any part is damaged. Do not attempt to refit the appliance by yourself or replace any unauthorized parts other than the supplier, otherwise it can cause hazards and the warranty will become invalid.

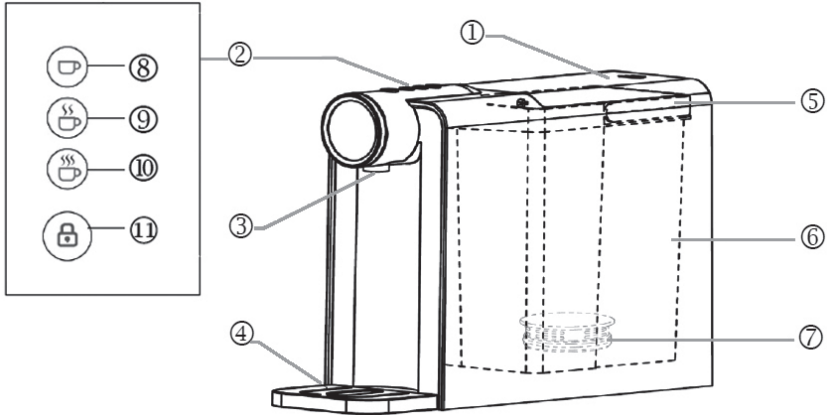
## 2. Cleaning and Storage

1. Before cleaning, always unplug the power plug, empty the water tank and let it cool down. Suggested to empty water tank everyday.
2. Do not rinse the appliance, power cord and plug with water under tap to prevent fire or electric shock.
3. To clean the exterior part, please use a damp cloth. If it is too dirty, wipe with a damp cloth with a little mild detergent, then wipe with damp cloth.
4. Never use poisonous or corrosive detergent for cleaning.
5. Let the appliance cool down completely and clean it before storage. Then put it in a box and store in a dry place.
6. When store, never wrap the power cord tightly around the appliance or put pressure on it to avoid the power cord damage.

## 3. Product Specifications

Model No.	RWD-JG250
Rated Voltage	220-240V ~ 50Hz
Rated Power	1800W
Capacity (approx.)	1.7 L
Net Weight (approx.)	1.9 kg
Product Dimensions (W x D x H)	110 x 321 x 237 mm

## 4. Product Description



(Above product drawing is for reference only, appearance)

Item No.	Parts/Accessories	Description
①	Main Body	Where to place the water tank
②	Control Panel	Function select and safety lock
③	Spout Outlet	The place where water come out (Attention! water droplet drip just after water dispense)
④	Detachable Cup Seat	For placing the cup/mug. If the cup/mug is too large or to tall, take it off
⑤	Water Tank Handle	Lift up the water tank
⑥	Water Tank	The place to store distilled water
⑦	Filter	Filtration accessory
⑧	Cool Water Button ( ☐ )*	Press once for dispense 250ml cool water
⑨	Warm Water Button ( ☐ )*	Press once for dispense 250ml warm water (approx. 70°C)
⑩	Hot Water Button ( ☐ )*	Press once for dispense 250ml hot water (approx. 100°C)
⑪	Safety Lock Button ( ☐ )	Press to lock or unlock the appliance

\* Press any button during operation to stop water dispensing

## 5. Before First Use

1. Unpack the filter packaging then install at the bottom of the water tank.
2. Open the water tank cover, take out the water tank and clean. Pour distilled water into the water tank until it is full (reached "MAX" position), and then put back into the main body. Soak the filter for 15 minutes.
3. After soaking, connect the electricity and place a cup below the spout outlet (Capacity recommended over 300ml), press the safety lock button (Ⓜ) to unlock, and press cool water button (☺) once and 40ml water will discharge first, then the product will return to standby mode. Unlock and press the hot water button (☺) to dispense hot water. Afterwards, repeat the to press the hot water button (☺) until there is a warning signal emitted due to out of water. There will be 1 beep sound and all indicators will flash. The product will stop operate.
4. To prevent product overheating, when the product shows the warning of insufficient water, there will still be about 250ml remaining water in the water tank which is a normal phenomenon.
5. In the first time of use, check whether there is water leaked from the product, and check whether there is any abnormal noise, burnt or smoke. If you find any of the above situations, stop using the appliance immediately and contact Shun Hing Electric Service Center Limited for checking and repair.

**Attention!** When the water dispense function is use for the first time or reconnect to the electricity, the product will discharge 40ml of water by default to clean the internal water piping, which is a normal phenomenon.

**WARNING!** Do not take out the water tank or let the water tank empty when plugged, otherwise, there will be warning signal, boil empty or fire.

## 6. Operation Instructions

1. Fill up the water tank with distilled water, then place the water tank into main body. Make sure a cup is sit on the cup seat. If the cup is too large or too tall, take off the cup seat.
2. Connect to the power supply, the product will "Beep" once and all indicators light up for one second. Safety lock indicator will light up, known as standby mode. Unlock the product and press any temperature button, the product will discharge 40ml of water then turns into standby mode.
3. Pour out the remaining water in the cup, and put it back below the spout.
4. Dispense operation
  - 4.1 Press the safety lock button (Ⓜ) to unlock the product, the safety lock indicator will go out. All temperature indicators will light up then.
  - 4.2 Select desired water temperature by pressing the corresponding temperature button ("☺" (Cool Water button), "☺" (Warm Water Button) or "☺" (Hot Water Button)), the appliance will dispense 250 ml of water. (During water discharging, you can press any key to stop the operation.)
  - 4.3 Wait for the product to beep once after the water dispense is completed, the product will return to standby mode.
5. If there is no operation within 5 seconds after unlock, the product will automatically return to standby mode.
6. Make sure to unplug the product after use.










**CAUTION!** After filling the water, please wait until no remaining water discharge before taking out the cup, otherwise, you may be scalded by the remaining water.

### Reminder

1. If the water tank is out of water during operation, no water will discharge while warning signal emit. To resume, add sufficient water to the water tank. Press corresponding temperature button and the product will dispense 250ml of water. Attention! The cup may overflow because there are remaining water.
2. During heating, there will be slight noise come out from the product and the pump, this is normal situation.
3. The boiling time variant due to ambient and water temperature. (The boiling time will be extended if the water temperature is low).
4. The product is left for a long time are also suggested for cleaning before use. Details refer to "Chapter 5. Before First Use".

## 7. Troubleshooting

Check the following before calling for servicing.

Symptoms	Checking points	Remedy
All the indicators flashing	Whether the water insufficient? / The water tank installed improperly	Add water to water tank / Install the water tank to main body properly
"  & "  indicators flashing together	Heating component abnormal	Carry the appliance to Shun Hing Electric Service Centre Ltd. for checking and repairing.
"  & "  indicators flashing together	NTC sensor abnormal	
"  ", "  & "  indicators flashing together	Abnormal voltage	
"  & "  indicators flashing together	Inlet component sensor abnormal	

If the above remedies/solutions cannot fix the problem, unplug the appliance immediately, note the error code and report it to Shun Hing Electric Service Centre Ltd. (Tel: 2406 5666) for checking and repairing. To avoid any danger and damage to the appliance, do not disassemble or repair it by yourself.

## 8. Special Avowal

1. The content in the operation manual has been checked. Our company reserves the hermeneutic power to any printing errors or misunderstanding on the content.
2. If there are technical improvements on the appliance, the operation manual will be updated in new version without prior notice. The product appearance and specification are subject to the manufacturer information.
3. In case there is any inconsistency or conflict between the English versions and Chinese versions of the terms, the Chinese versions shall prevail.
4. The e-copy of user manual can be sent by email on requested. For enquires, please call Shun Hing Electric Works & Engineering Co., Ltd hotline at 2861 2767.

## 9. After Sales Service

1. For any defect, in the judgment of technician from Shun Hing Electric Service Centre Limited, caused under normal use, our company is responsible for repairing or replacing any parts of the said electrical appliance free of charge within one year guarantee period commencing from the date of purchase. Any defective part which has been replaced shall become our property. Warranty service does not cover the repair or replacement of parts such as power cord, water tank, water tank cover, filter and enclosure etc. If the appliance is used improperly, for commercial (semi-commercial) use, or not following the instructions in the operation manual, the warranty becomes invalid and our company will refuse any liability and repairing cost for the damage caused.
2. User must present the official invoice/redemption voucher and the warranty card (**printed on packing box, if throw away the box, please cut the warranty card off and retain.**) with the chop from sales point/redemption center for maintenance. For enquiries, please call Shun Hing Electric Service Centre Limited hotline at 2406 5666.



# 備忘錄

---

# 備忘錄

---





# Rasonic 樂信牌

## 信興電工工程有限公司

**SHUN HING ELECTRIC WORKS AND ENGINEERING CO., LTD.**

辦公室：香港九龍尖沙咀東部麼地道67號半島中心9樓909-912室

電話：2861 2767

圖文傳真：2865 6706

網址：<http://www.rasonic.com>

電郵：[shew@shunhinggroup.com](mailto:shew@shunhinggroup.com)

Office: Room 909-912, 9/F, Peninsula Centre, 67 Mody Road, Tsimshatsui East, Kowloon, H.K.

Tel: 2861 2767

Fax: 2865 6706

Website: <http://www.rasonic.com>

E-mail: [shew@shunhinggroup.com](mailto:shew@shunhinggroup.com)

保養及維修 Maintenance and Repair Service:

## 信興電器服務中心有限公司

**SHUN HING ELECTRIC SERVICE CENTRE LTD.**

香港新界葵涌勝耀街2號信興中心11樓

服務熱線：2406 5666

傳真號碼：2408 0316

網址：<http://www.shesc.com/zh>

11/F, Shun Hing Centre, 2 Shing Yiu Street, Kwai Chung, N.T. HK

Service Hotline: 2406 5666

Fax No.: 2408 0316

Website: <http://www.shesc.com/en>

客戶服務中心：

香港新界葵涌勝耀街2號信興中心1樓

九龍佐敦佐敦道23-29號新寶廣場20樓

香港天后琉璃街7號柏景中心22樓

澳門慕拉士大馬路193-199號南嶺工業大廈5樓1座

Customer Service Centres:

1/F, Shun Hing Centre, 2 Shing Yiu Street, Kwai Chung, N.T.

20/F, Sino Cheer Plaza, 23-29 Jordan Road, Jordan, Kowloon

22/F, Parkview Centre, 7 Lau Li Street, Tin Hau, Hong Kong

Avenida de Venceslau de Morais, No. 193-199, 5 andar - I, Edf. Industrial Nam Leng, Macau

有關最新之香港及澳門客戶服務中心資料，請參閱信興服務中心網址：<http://www.shesc.com/zh>

For the latest information of Hong Kong and Macau service center, please visit <http://www.shesc.com/en>